

Drago H 250 300 350

IC counterbalanced trucks, Diesel and LPG, from 2500 to 3500 Kg

Powerful and reliable

Hydraulically controlled hydrostatic transmission

The CESAB DRAGO H 250 300 350 are powerful and reliable high performance counterbalance fork lift trucks, featuring hydraulically controlled hydrostatic transmission available in diesel and LPG versions. The range comprises models with lifting capacity from 2500 to 3500 Kg and lifting height up to 6110 mm.

3.3 litre diesel or 2.2 litre LPG low emission engines are available. The LPG version is equipped with an engine specifically developed for lift truck applications.

Perfect interaction between hydrostatic transmission, engine and hydraulics. Automatic engine acceleration on lifting is optional on diesel version and standard on LPG.

The comfortable, ergonomic driving seat is easily accessible thanks to the large, clearly visible step.

The new complete cab, available as an option, is installed inside the profile of the overhead guard. It is equipped, as standard with high-quality panelling, accessories and sound-proofing, lexan roof complete with gutters, sliding windows on both doors and pantograph windscreen-wiper for more effective cleaning.

The position of the uprights, which are widely spaced, guarantees excellent visibility and at the same time gives a rigid structure even at great height. Equipped with integral sideshift as standard.

Increased maintenance and inspection intervals have significant benefits in terms of costs and machine down-times. Minimal maintenance for the no-wear-oil-immersed brakes.



Ergonomically designed controls. The rotating-switch controlled parking brake is within easy reach of the driver. The new steering column is inclined towards the operator and easily adjustable for increased driving comfort.



The wheels - which are among the largest in this class of trucks - guarantee load stability, operator's comfort and easy manoeuvring on uneven ground. Manoeuvrability is enhanced by a compact steering axle fully protected against the type of accidental impact damage typically associated with outdoor usage.



The hydraulic power steering unit is installed underneath the platform, giving simpler connections and quieter operation. The pedals are mounted on the dashboard for easy maintenance.

CESAB S.p.A. products, specifications and technical data are subject to change without notice.

Options

- Balanced pedal direction control.
- Complete cab, with or without heating.
- Working lights.
- Cyclon pre-filter for dusty environment.
- Catalytic exhaust.
- Twin wheels.

Cesab Ltd:

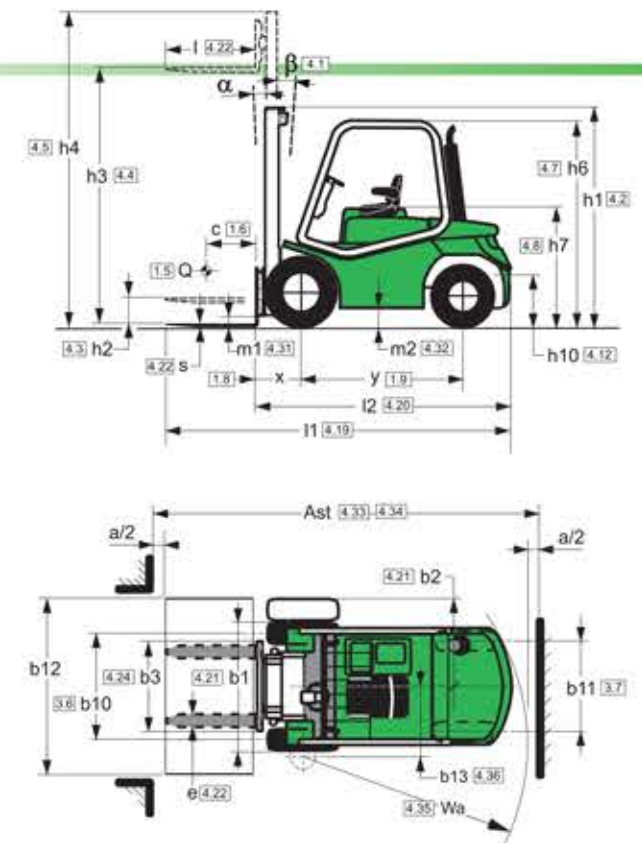
Unit 10, Regent Park, Booth Drive, Park Farm South, Wellingborough

At Your Local Dealer

Drago H 250 300 350

VDI 2198

Characteristics		CESAB
1.1	Manufacturer	CESAB
1.2	Model designation	DRAGO H 250
1.3	Power unit: electric (battery), diesel, petrol, LPG	diesel / LPG
1.4	Operation: manual, pedestrian, standon, driver seated	driver seated
1.5	Load capacity	Q (kg) 2500
1.6	Load centre	c (mm) 500
1.8	Axle centre to fork face	x (mm) 460 (a)
1.9	Wheel-base	y (mm) 1750
Weights		
2.1	Weight	kg 4000 / 3890
2.2	Axle load with load, front/rear	kg 5890/610 / 5830/560
2.3	Axle load without load, front/rear	kg 2010/1990 / 1950/1940
Wheels and chassis		
3.1	Tyres: C=Cushion, SE=Superelastic, PN=Pneumatic, TW=Twin	SE - PN - SE.TW - PN.TW
3.2	Tyre size, front	7.00-12 - 7.00-12 - 7.00-12 - 7.00-12
3.3	Tyre size, rear	6.50-10 - 6.50-10 - NO - NO
3.5	Wheels, number front/rear (x = driven)	2x - 4x / 2
3.6	Track width, front	b10 (mm) 1042 - 1042 / 1153 - 1205
3.7	Track width, rear	b11 (mm) 1000
Dimensions		
4.1	Mast tilt, forward/backward	α / β (degrees) 5° / 9°
4.2	Height of mast, lowered	h1 (mm) 2252
4.3	Free lift	h2 (mm) 100
4.4	Lift height	h3 (mm) 3160
4.5	Height of mast, extended	h4 (mm) 3805
4.7	Height of overhead guard	h6 (mm) 2200
4.8	Height of driver's seat	h7 (mm) 1150
4.12	Towing coupling height	h10 (mm) 450
4.19	Overall length	l1 (mm) 3568 (a)
4.20	Length to fork face	l2 (mm) 2568 (a)
4.21	Overall width	b1/b2 (mm) 1215 - 1250 / 1540 - 1642
4.22	Fork dimensions	s/e/l (mm) 40 x 120 x 1000
4.23	Fork carriage to DIN 15173, class/form A, B	II A
4.24	Width of fork carriage	b3 (mm) 1100
4.31	Floor clearance, mast (with load)	m1 (mm) 152
4.32	Floor clearance, centre of wheel-base (with load)	m2 (mm) 170
4.33	Aisle width with pallets 1000 x 1200 across forks	Ast (mm) 3911 (a)
4.34	Aisle width with pallets 800 x 1200 along forks	Ast (mm) 4110 (a)
4.35	Turning radius	Wa (mm) 2250
4.36	Minimum distance between the centres of rotation	b13 (mm) 677
Performance		
5.1	Travel speed, with/without load	km/h 20 / 21
5.2	Lifting speed, with/without load	m/s 0.49 / 0.51
5.3	Lowering speed, with/without load	m/s < 0.59
5.5	Tractive force, with/without load	N 17000 / 16100
5.7	Climbing ability, with/without load	% 25 / 31
5.9	Acceleration time, with/without load	s -
5.10	Service brake: mechanical/hydraulic/electric/pneumatic	hydrostatic
Drive		
7.1	Engine manufacturer/type	Kubota V3600 / Toyota 4Y
7.2	Engine performance	kW 44 / 37
7.3	Rated speed	min ⁻¹ 2200 / 2400
7.4	Number of cylinders/displacement	cm ³ 4-3620 / 4-2237
7.5	Fuel consumption VDI-cycle	l/h; kg/h -
Others		
8.1	Type of drive control	stepless hydrostatic
8.2	Working pressure for attachments	bar 180
8.3	Oil flow for attachments	l/min -
8.4	Noise level at driver's ear	dB (A) 81 / 79
8.5	Towing coupling, design/type DIN	-



Masts specifications (2500 Kg)			
Mast	mm	Duplex	Duplex FFL
h3	Lift height	3160 3660 4160 4960	2930 3160
h1	Height of mast, lowered	2252 2502 2752 3202	2132 2252
h2	Free lift	100 100 100 100	1437 1557
h4	Height of mast, extended	3805 4305 4805 5632	3625 3855
α / β	Mast tilt forward/backward	5° / 9°	5° / 5°
Masts specifications (2500 Kg)			
Mast	mm	Triplex	Triplex FFL
h3	Lift height	4305 4965 5565 6765	4310 4460 4960 5560 6060
h1	Height of mast, lowered	2132 2352 2552 3052	2132 2182 2352 2552 2752
h2	Free lift	45 45 45 45	1437 1487 1657 1857 2057
h4	Height of mast, extended	4972 5632 6232 7532	5005 5155 5655 6255 6755
α / β	Mast tilt forward/backward	5° / 5°	5° / 7°
Masts specifications (3000 - 3500 Kg)			
Mast	mm	Duplex	Duplex FFL
h3	Lift height	3160 3660 4160 4960	2930 3160
h1	Height of mast, lowered	2252 2502 2752 3202	2132 2252
h2	Free lift	100 100 100 100	1436 1556
h4	Height of mast, extended	3833 4333 4833 5633	3626 3856
α / β	Mast tilt forward/backward	5° / 10°	5° / 6°
Masts specifications (3000 - 3500 Kg)			
Mast	mm	Triplex	Triplex FFL
h3	Lift height	4305 4965 5565 6765	4310 4460 4960 5560 6060
h1	Height of mast, lowered	2132 2352 2552 3052	2132 2182 2352 2552 2752
h2	Free lift	45 45 45 45	1436 1486 1656 1856 2056
h4	Height of mast, extended	4976 5636 6236 7532	5006 5156 5656 6256 6756
α / β	Mast tilt forward/backward	5° / 6°	5° / 8°

(a) with sideshift = + 25 mm (b) SE

NOTES: Unless otherwise specified, all data refer to vehicles with SE tyres. All performance figures refer to fully run-in vehicles, in perfect working status with homologated tyres mix. Truck performance and dimensions are nominal and subject to tolerances.